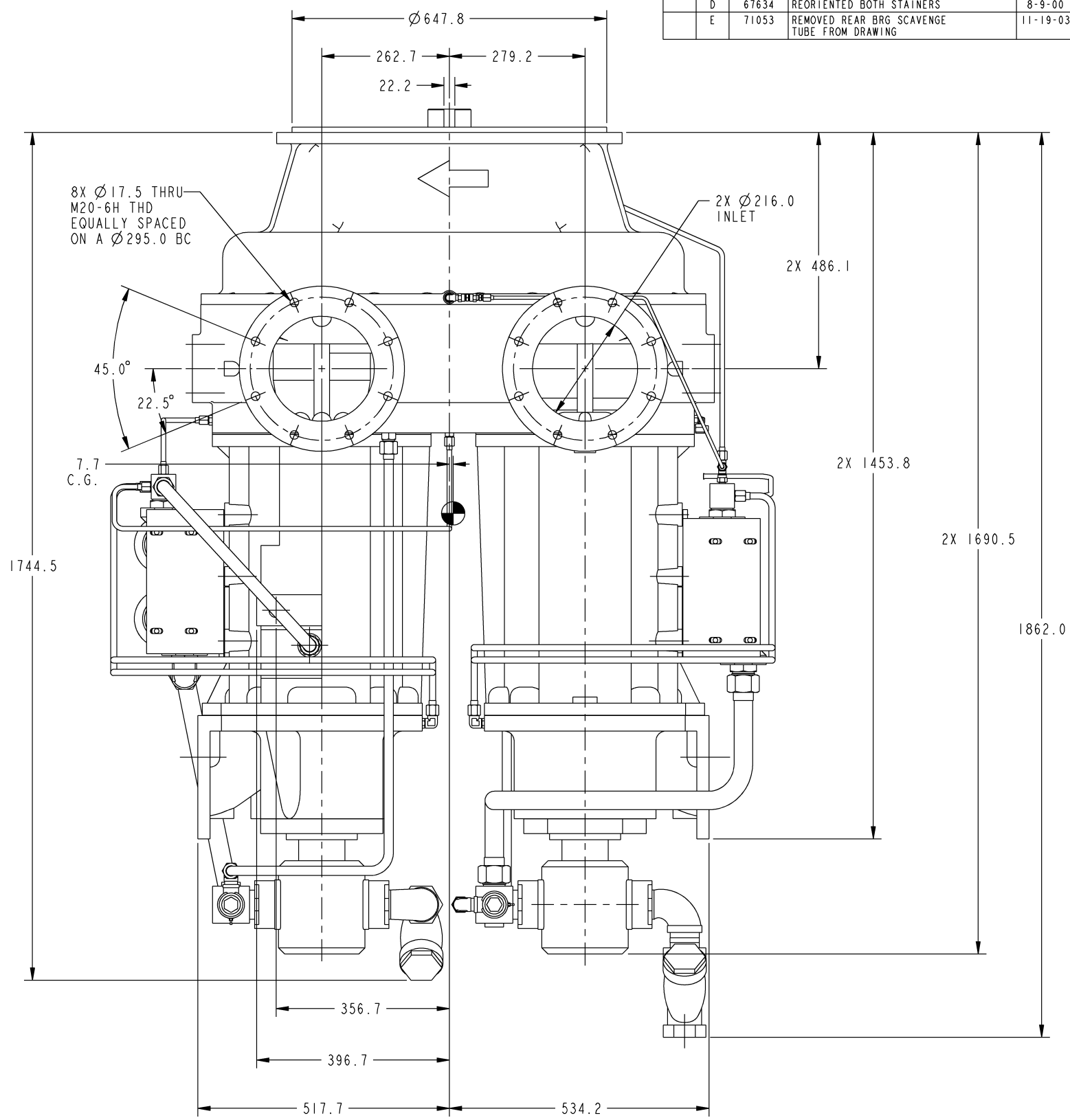
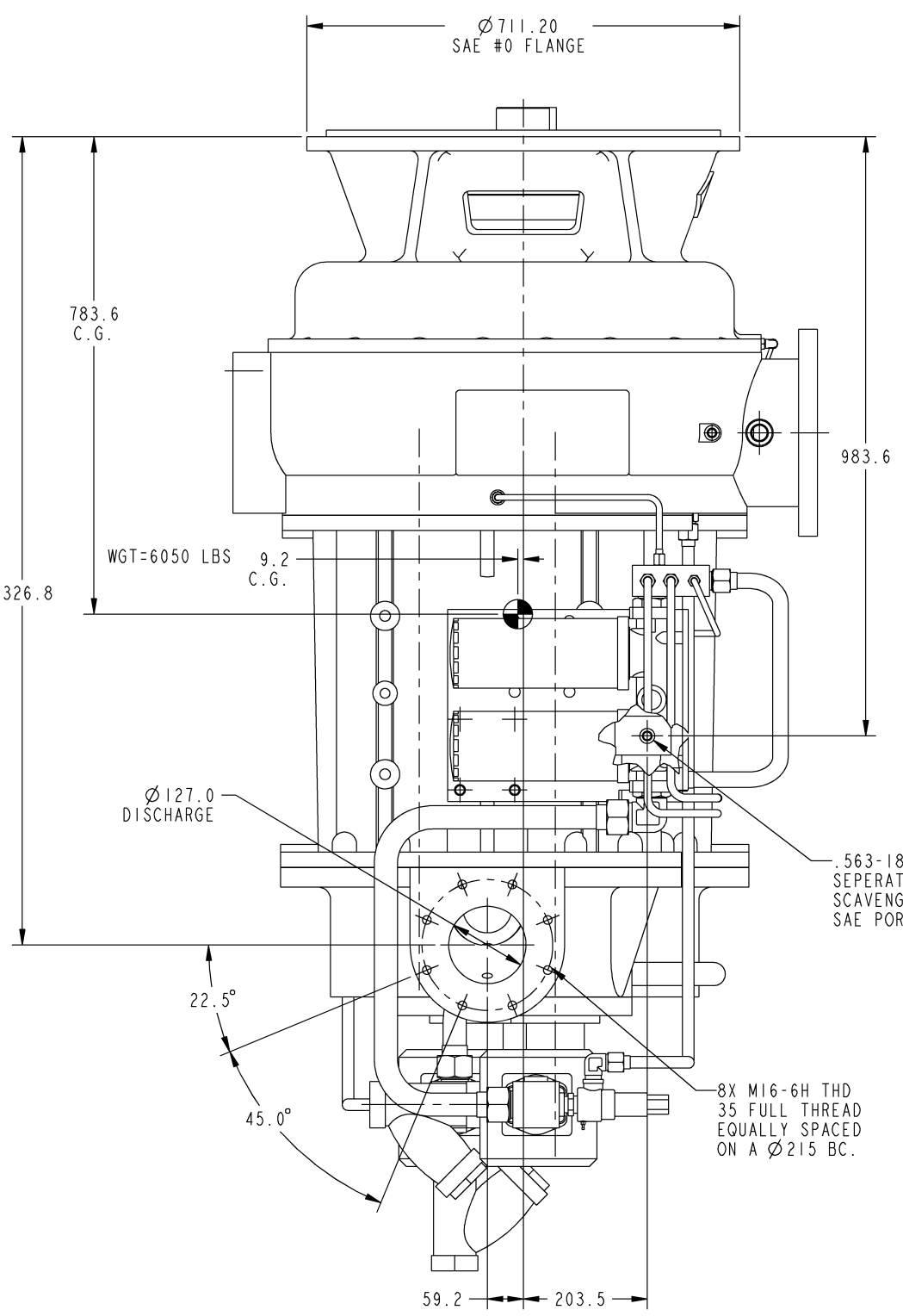


REVISIONS						
ZONE	REV	ECN	DESCRIPTION	DATE	DWN	APV
-	A	67024	ORIGINAL RELEASE	9-20-99	GAS	JLB
1-C	B	67167	DIM 483 WAS 457 (SHEET 3)	12-3-99	GAS	JLB
	C	67295	ADDED RATATION NOTE (SHT 3) WEIGHT WAS 5840 LBS	1-24-00	GAS	JLB
	D	67634	REORIENTED BOTH STAINERS	8-9-00	GAS	ESR
	E	71053	REMOVED REAR BRG SCAVENGE TUBE FROM DRAWING	11-19-03	DW	BDS



<p>WARNING: THE EXPORT OR REEXPORT OF THIS DRAWING OR A PRODUCT PRODUCED BY THIS DRAWING IS SUBJECT TO U.S. EXPORT ADMINISTRATION REGULATIONS AND OTHER APPLICABLE GOVERNMENT RESTRICTIONS OR REGULATIONS.</p> <p>DRAWING CONFORMS TO ASME Y14.5M-1994</p> <p>ALL WELDMENTS TO BE IN ACCORDANCE WITH (IAW) ANSI/AWS A2.4-93.</p> <p>UNLESS OTHERWISE SPECIFIED, ALL DIMENSIONS ARE IN MILLIMETERS AND TOLERANCES ON DIMENSIONS ARE DECIMALS:</p> <p>WHOLE : --- (X) : ± 1 ONE PLACE : --- (X) : ± 0.5 TWO PLACE : --- (XX) : ± 0.25 ANGLES : --- (X) : ± 1</p>	<p>PROPRIETARY NOTICE</p> <p>THIS DRAWING CONTAINS CONFIDENTIAL AND TRADE SECRET INFORMATION, IS THE PROPERTY OF INGERSOLL-RAND CO., AND IS GIVEN TO THE RECEIVER IN CONFIDENCE. THE RECEIVER BY RECEPTION AND RETENTION OF THE DRAWING ACCEPTS THE DRAWING IN CONFIDENCE AND AGREES THAT, EXCEPT AS AUTHORIZED IN WRITING BY INGERSOLL-RAND CO. IT WILL (1) NOT USE THE DRAWING OR ANY COPY THEREOF OR THE CONFIDENTIAL OR TRADE SECRET INFORMATION THEREIN; (2) NOT COPY THE DRAWING; (3) NOT DISCLOSE TO OTHERS EITHER THE DRAWING OR THE CONFIDENTIAL OR TRADE SECRET INFORMATION THEREIN; AND (4) UPON COMPLETION OF THE NEED TO RETAIN THE DRAWING, OR UPON DEMAND, RETURN THE DRAWING, ALL COPIES THEREOF, AND ALL MATERIAL COPIED THEREFROM.</p>	<p>UNLESS OTHERWISE SPECIFIED, ALL DIMENSIONS ARE IN MILLIMETERS</p> <p>REMOVE ALL BURRS AND SHARP CORNERS</p> <p>CAD GENERATED DRAWING, NO MANUAL REVISIONS ALLOWED</p> <p>COPYRIGHT © 2003 INGERSOLL-RAND COMPANY ALL RIGHTS RESERVED</p>	<p>NOUN CODE INSTALLATION</p>		<p>IR Ingersoll-Rand Air Solutions</p> <p>DRAWING, INSTALLATION DUAL 285MM ASSEMBLY</p>
			<p>THIRD ANGLE PROJECTION</p> <p>DRAWN : J. BOWMAN DATE : 7-27-99</p> <p>CHECKED : J. BOWMAN DATE : 10-7-99</p> <p>APPROVED : J. BOWMAN DATE : 10-7-99</p>	<p>ESTIMATED WEIGHT (KG) : 5839.9 LB.</p> <p>DWG NO. : 39912472</p> <p>REV : E</p> <p>SCALE : 0.19 UNIT : 2X285MM SHEET 1 OF 3</p>	

ECN: 67295 DWG: 39912472 - E.21 MODEL: 39912472 - E.1 Instrolink - 200 DP