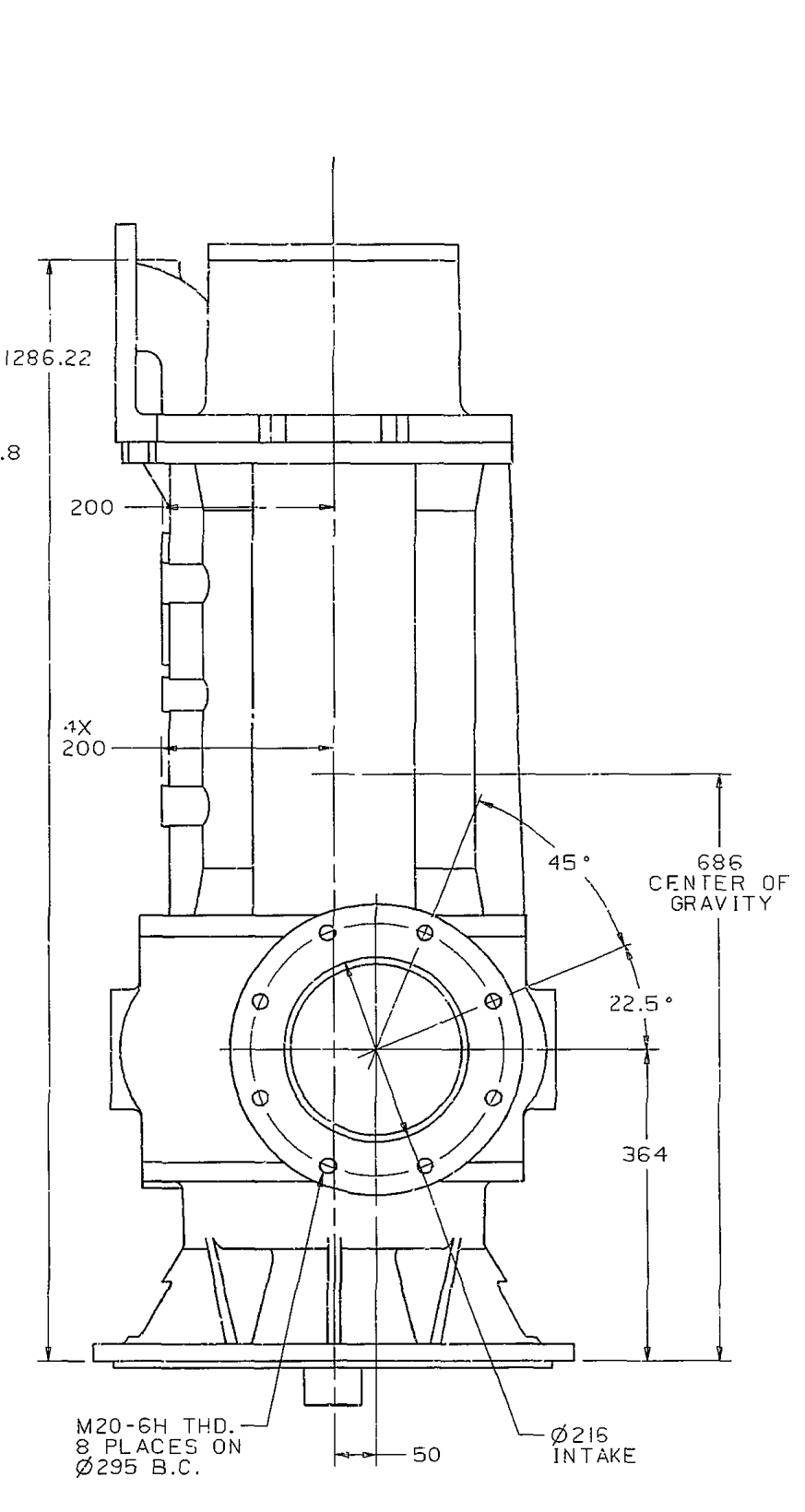
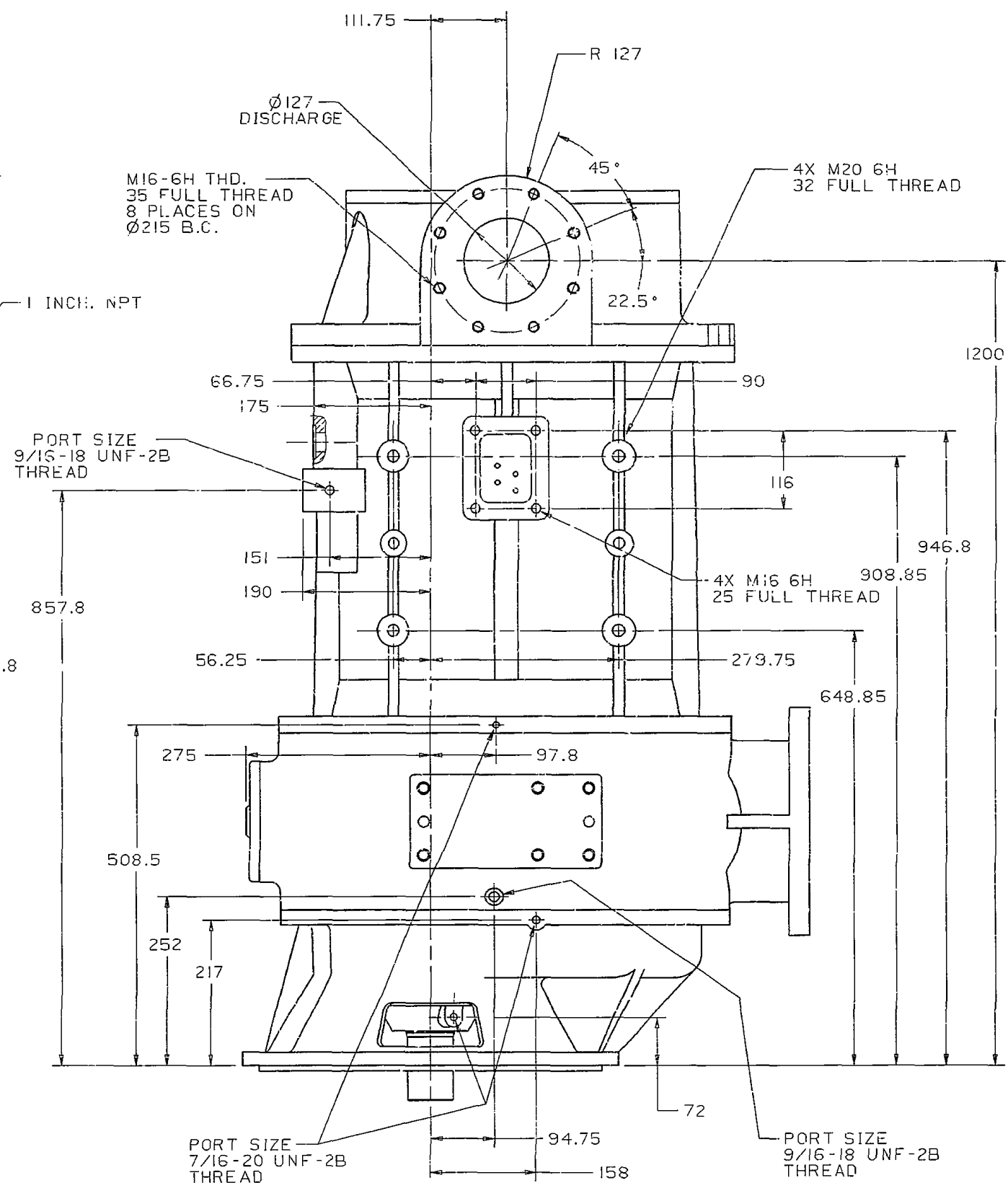
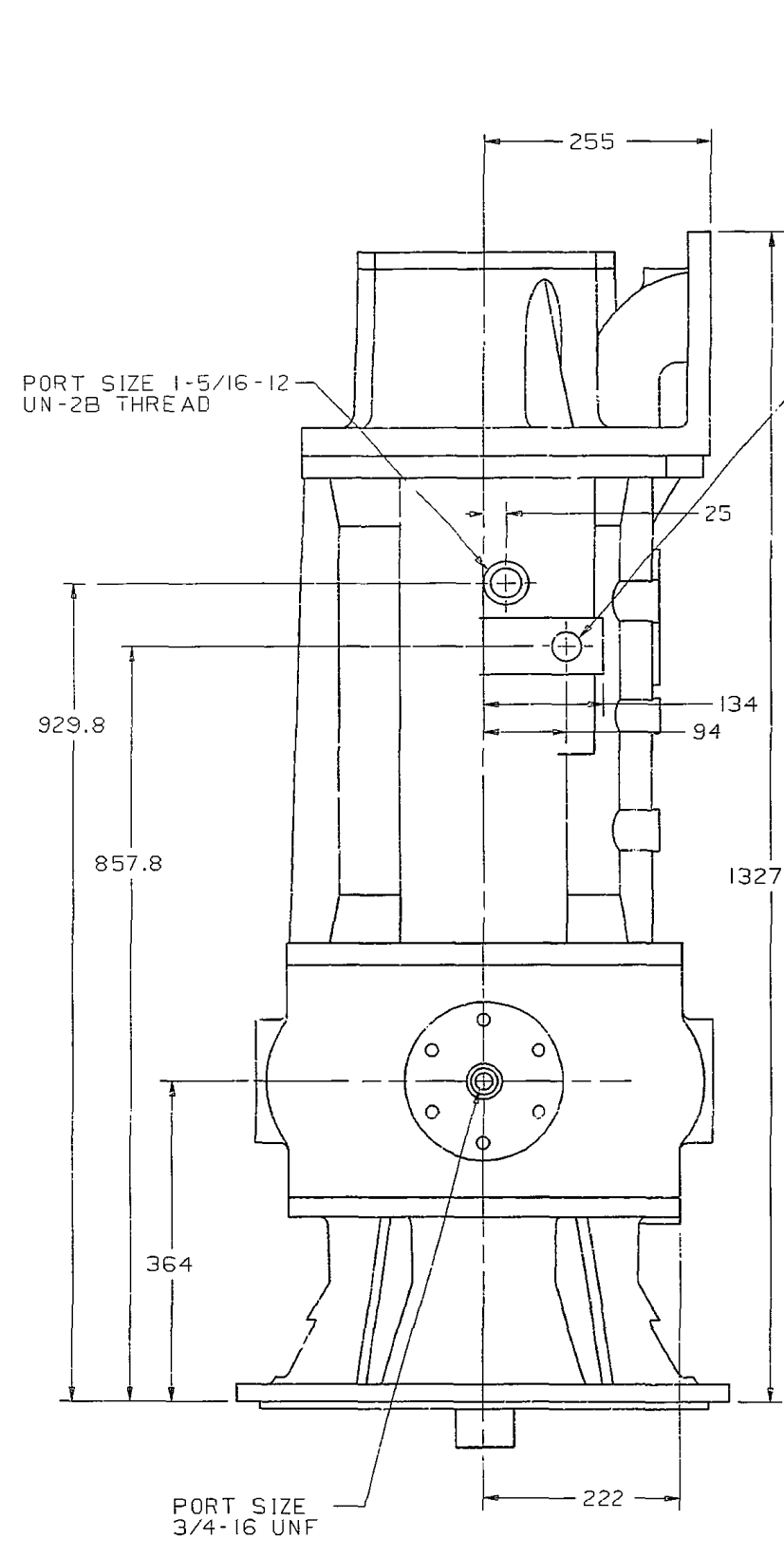


8 7 6 5 4 3 2 1

REVISIONS						
ZONE	REV.	DESCRIPTION	DATE	DWN	E/C	
	A	ORIGINAL RELEASE	4-11-89	MPM	24063	



THIS DRAWING CONTAINS CONFIDENTIAL AND TRADE SECRET INFORMATION, IS THE PROPERTY OF INGERSOLL-RAND CO., AND IS GIVEN TO THE RECEIVER IN CONFIDENCE. THE RECEIVER BY RECEPTION AND RETENTION OF THE DRAWING ACCEPTS THE DRAWING IN CONFIDENCE AND AGREES THAT, EXCEPT AS AUTHORIZED IN WRITING BY INGERSOLL-RAND CO., IT WILL (1) NOT USE THE DRAWING OR ANY COPY THEREOF OR THE CONFIDENTIAL OR TRADE SECRET INFORMATION THEREIN; (2) NOT COPY THE DRAWING; (3) NOT DISCLOSE TO OTHERS EITHER THE DRAWING OR THE CONFIDENTIAL OR TRADE SECRET INFORMATION THEREIN; AND (4) UPON COMPLETION OF THE NEED TO RETAIN THE DRAWING, OR UPON DEMAND, RETURN THE DRAWING, ALL COPIES THEREOF, AND ALL MATERIAL COPIED THEREFROM.

UNLESS OTHERWISE SPECIFIED DIMENSIONS ARE IN MILLIMETERS MICRO FILM BLOWBACK SCALE 150						
UNLESS OTHERWISE SPECIFIED THE FOLLOWING TOLERANCES APPLY ON LINEAR DIMENSIONS						
LINEAR DIM	0.5 TO 3	OVER 3 TO 6	OVER 6 TO 30	OVER 30 TO 120	OVER 120 TO 315	OVER 315 TO 2000
TOL	±0.2	±0.6	±1.0	±1.5	±2.0	±3.0
ANGLES AND TAPERS ±1°						

GEOMETRIC SYMBOLS	
○ CONCENTRICITY	⊥ PERPENDICULARITY
∕ CYLINDRICITY	▭ FLATNESS
∥ PARALLELISM	⊕ TRUE POSITION
⊘ CIRCULAR RUN OUT	— STRAIGHTNESS
⊘ TOTAL RUNOUT	○ POUNDNESS
∠ ANGULARITY	○ PROFILE LINE
	○ PROFILE OF SURFACE

WEIGHT, EST.	
1182 KGS.	
WEIGHT, ACTUAL	
— KGS.	
NEXT HIGHER ASSY	

SI-METRIC			
DRAWN	DATE	TITLE	
P. McDONALD	4-6-89	INSTALLATION DWG. 285MM	
CHECKED			
APPROVED			
SIMILAR TO:			
SCALE: 1/4	UNIT:		

INGERSOLL-RAND CONSTRUCTION EQUIPMENT PORTABLE OPERATIONS MOCKSVILLE, NC 27020			
CODE IDENT NO.	PART NO.	E/C	
	36770378	24063	
SHEET 1 OF 2			