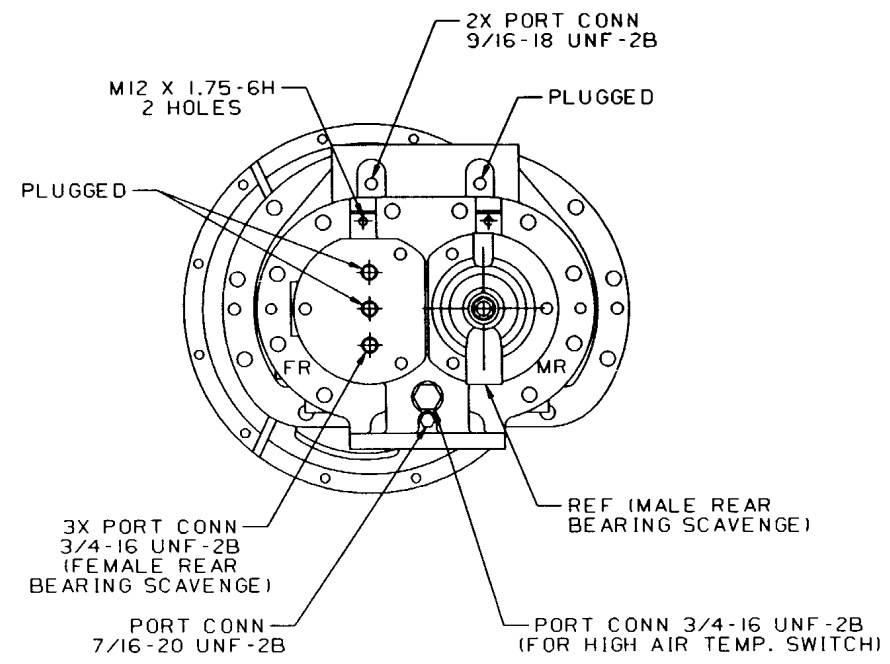
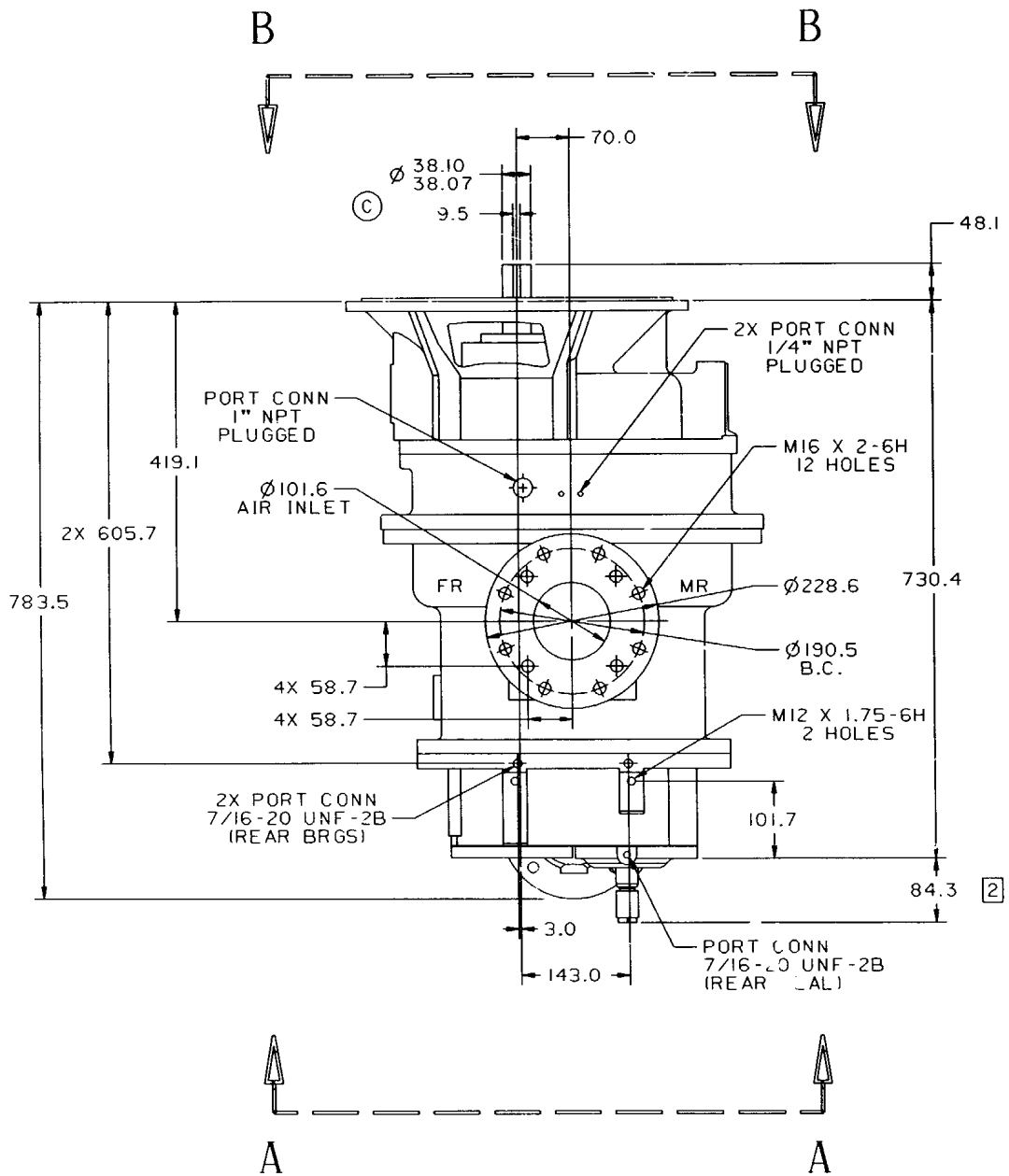
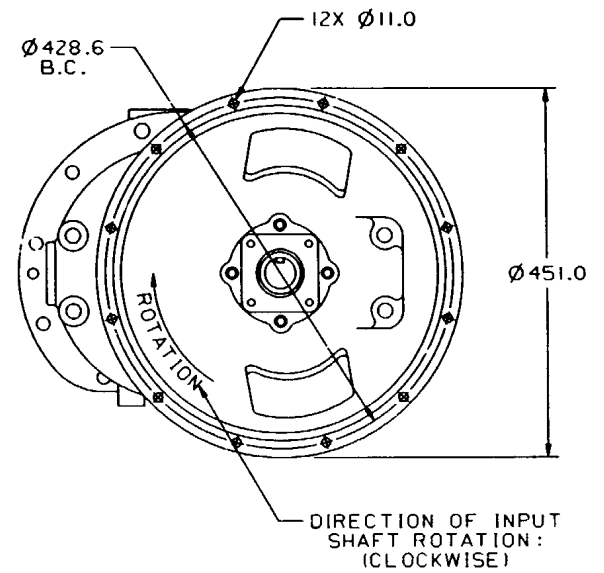


REVISIONS					
ZONE	REV.	DESCRIPTION	DATE	APVD	E/C
	A	INITIAL RELEASE		MJB	24556
	B	ADDED MTG. PAD DIM'S	7-11-90	MJB	24917
C-7	C	9.5 WAS 9.7, 38.10/38.07 WAS 39.70/39.65	4-24-91	MJB	25589

NOTES:
 1. INTERPRET DIMENSIONING AND TOLERANCING IAW ANSI Y14.5M-1982.
 2. FAN SHAFT NOT PROVIDED ON SOME A/E SPECIFICATIONS.



VIEW A-A



VIEW B-B
ROTATED 180°

WARNING: EXPORT OF THIS DRAWING TO COUNTRIES OUTSIDE OF THE U.S. IS SUBJECT TO U.S. EXPORT ADMINISTRATION REGULATIONS. COPYRIGHT © 1991 INGERSOLL-RAND COMPANY ALL RIGHTS RESERVED	THIS DRAWING CONTAINS CONFIDENTIAL AND TRADE SECRET INFORMATION, IS THE PROPERTY OF INGERSOLL-RAND CO., AND IS GIVEN TO THE RECEIVER IN CONFIDENCE. THE RECEIVER BY RECEPTION AND RETENTION OF THE DRAWING ACCEPTS THE DRAWING IN CONFIDENCE AND AGREES THAT, EXCEPT AS AUTHORIZED IN WRITING BY INGERSOLL-RAND CO. IT WILL (1) NOT USE THE DRAWING OR ANY COPY THEREOF OR THE CONFIDENTIAL OR TRADE SECRET INFORMATION THEREIN; (2) NOT COPY THE DRAWING; (3) NOT DISCLOSE TO OTHERS EITHER THE DRAWING OR THE CONFIDENTIAL OR TRADE SECRET INFORMATION THEREIN; AND (4) UPON COMPLETION OF THE NEED TO RETAIN THE DRAWING, OR UPON DEMAND, RETURN THE DRAWING, ALL COPIES THEREOF, AND ALL MATERIAL COPIED THEREFROM.	UNLESS OTHERWISE SPECIFIED DIMENSIONS ARE IN MILLIMETERS MICRO FILM BACK SCALE 150 mm		CAD LAYOUT NAME: PCD.36780559.25589.SHT1THR2		SI-METRIC THIRD ANGLE PROJ.		INGERSOLL-RAND COMPANY CONSTRUCTION EQUIPMENT PORTABLE OPERATIONS MOCKSVILLE, NC 27028															
		UNLESS OTHERWISE SPECIFIED THE FOLLOWING TOLERANCES APPLY ON LINEAR DIMENSIONS <table border="1"> <tr> <th>LINEAR DIM.</th> <th>OVER 3 TO 6</th> <th>OVER 6 TO 30</th> <th>OVER 30 TO 120</th> <th>OVER 120 TO 315</th> <th>OVER 315 TO 1000</th> <th>OVER 1000 TO 2000</th> </tr> <tr> <td></td> <td>±0.3</td> <td>±0.6</td> <td>±1.0</td> <td>±1.5</td> <td>±2.0</td> <td>±3.0</td> </tr> </table>		LINEAR DIM.	OVER 3 TO 6	OVER 6 TO 30	OVER 30 TO 120	OVER 120 TO 315	OVER 315 TO 1000	OVER 1000 TO 2000		±0.3	±0.6	±1.0	±1.5	±2.0	±3.0	GEOMETRIC SYMBOLS — STRAIGHTNESS ○ CIRCULARITY ∞ CYLINDRICITY ▭ FLATNESS ⊖ PROFILE OF SURFACE ⊥ PERPENDICULARITY		WEIGHT, EST. _____ KGS. WEIGHT, ACTUAL (690 LB.) -312 KGS. NEXT HIGHER ASST		DRAWN: W.L. AMBERT III CHECKED: MJB APPROVED: D.N.G. DATE: 02-02-90 DATE: 4-24-91 DATE: 4-10-91	
LINEAR DIM.	OVER 3 TO 6	OVER 6 TO 30	OVER 30 TO 120	OVER 120 TO 315	OVER 315 TO 1000	OVER 1000 TO 2000																	
	±0.3	±0.6	±1.0	±1.5	±2.0	±3.0																	